

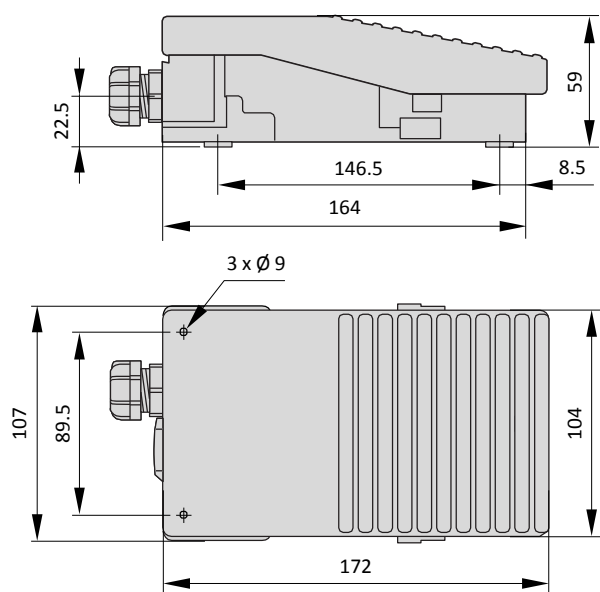


The foot switch XPEW is a range of foot switches for explosive atmospheres leaving to the operator complete freedom of movement.

They are designed for explosive atmospheres gas/vapours or dust and meet the highest levels of protection.

TECHNICAL DATA

Material	Zamac, carbon steel
IP rating	IP65 according to EN/IEC 60529
Temperature range	- 20°C ... + 60°C
Certificate	INERIS 04ATEX0042
Marking	II 2 GD Ex d e IIC T6 Gb or Ex tb IIIC T85°C Db
Features of the contact block	U _{max} = 250 V I _{max} = 3 A
Cable entry	M20 cable gland
Mechanical endurance	Actuator: 5 million operations - Contact block: 1 million operations



Product code	Control unit type	Colour	Contact
XPEWM110	Contact operation - 1 step	Blue	1 x NC + NO
XPEWM111	Contact operation - 1 step	Blue	2 x NC + NO
XPEWM211	Contact operation - 2 steps	Blue	2 x NC + NO
XPEWR110	Contact operation - 1 step	Orange	1 x NC + NO
XPEWR111	Contact operation - 1 step	Orange	2 x NC + NO
XPEWR211	Contact operation - 2 steps	Orange	2 x NC + NO