



The XCWD limit switches is a safe bet for controlling movement. It benefits from the latest developments: modularity, compactness, a very broad range of actuators.

They are designed for intensive use and a very good repeatability.

They are provided in complete assemblies or variable composition with:

- 2 or 4 electrically separate snap action contacts
- Heads that can be adjusted from 15° to 15° on 360° relative to the body
- can substitute the previous range XCWA and XCWF

### TECHNICAL DATA

<b>Material</b>	Zamac
<b>IP rating</b>	IP66/67 according to EN/IEC 60529
<b>Operating temperature</b>	-20°C ... +60°C
<b>Certificate</b>	INERIS 03ATEX0083X
<b>Marking</b>	II 2 GD Ex d IIC T6 Gb Ex tb IIIC T85°C Db
<b>Repeat accuracy</b>	0.05 mm on the tripping points, with 1 million operation cycles for actuator with end plunger
<b>Shock resistance</b>	25 gn (18ms) according to IEC 60068-2-27
<b>Vibration resistance</b>	5 gn according to IEC 60068-2-27
<b>Rated thermal current</b>	6 A for 2 contacts according to versions, 3 A for 4 contacts
<b>Rated insulation voltage</b>	400 V according to IEC 60947-5-1
<b>Contact blocks</b>	Snap action - 1 x NC + 1 x NO or 2 x NC + 2 x NO
<b>Resistance across terminals</b>	≤ 25 mΩ according to IEC 60255-7 category 3
<b>Electrical features of the contacts</b>	<p><b>Switches with 2 contacts</b></p> <p>AC-15 ; C300 (Ue = 240 V, Ie = 1.5 A) DC-13 ; R300 (Ue = 250 V, Ie = 0.1 A)</p> <p><b>Switches with 4 contacts</b></p> <p>AC-15 ; C300 (Ue = 240 V, Ie = 0.75 A) DC-13 ; R300 (Ue = 250 V, Ie = 0.1 A)</p>

**Head with straight movement  
Fixing by the body**



Actuator type	Metal end plunger		Steel roller plunger	
	2 contacts	4 contacts	2 contacts	4 contacts
1 m cable length	XCWD2110L1	XCWD4110L1	XCWD2102L1	XCWD4102L1
2 m cable length	XCWD2110L2	XCWD4110L2	XCWD2102L2	XCWD4102L2
5 m cable length	XCWD2110L5	XCWD4110L5	XCWD2102L5	XCWD4102L5
10 m cable length	XCWD2110L10	XCWD4110L10	XCWD2102L10	XCWD4102L10

**Head with straight movement  
Fixing by the head**



Actuator type	Metal end plunger - M12		Steel roller plunger - M12	
	2 contacts	4 contacts	2 contacts	4 contacts
1 m cable length	XCWD21F0L1	XCWD410L1	XCWD21F2L1	XCWD41F2L1
2 m cable length	XCWD21F0L2	XCWD410L2	XCWD21F2L2	XCWD41F2L2
5 m cable length	XCWD21F0L5	XCWD410L5	XCWD21F2L5	XCWD41F2L5
10 m cable length	XCWD21F0L10	XCWD410L10	XCWD21F2L10	XCWD41F2L10

**Head with angular movement  
Fixing by the body**

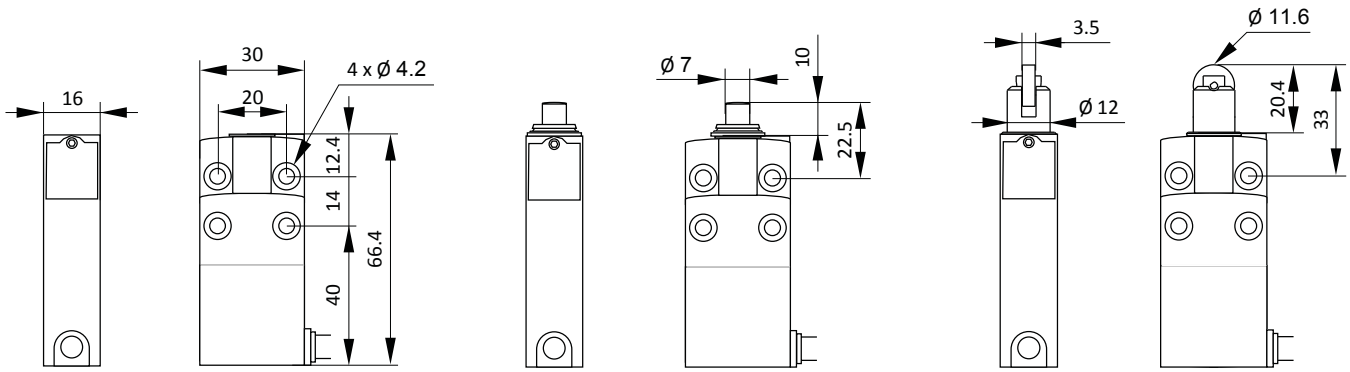




Actuator type	Thermoplastic roller lever		Steel roller lever	
	2 contacts	4 contacts	2 contacts	4 contacts
1 m cable length	XCWD2115L1	XCWD4115L1	XCWD2116L1	XCWD4116L1
2 m cable length	XCWD2115L2	XCWD4115L2	XCWD2116L2	XCWD4116L2
5 m cable length	XCWD2115L5	XCWD4115L5	XCWD2116L5	XCWD4116L5
10 m cable length	XCWD2115L10	XCWD4115L10	XCWD2116L10	XCWD4116L10

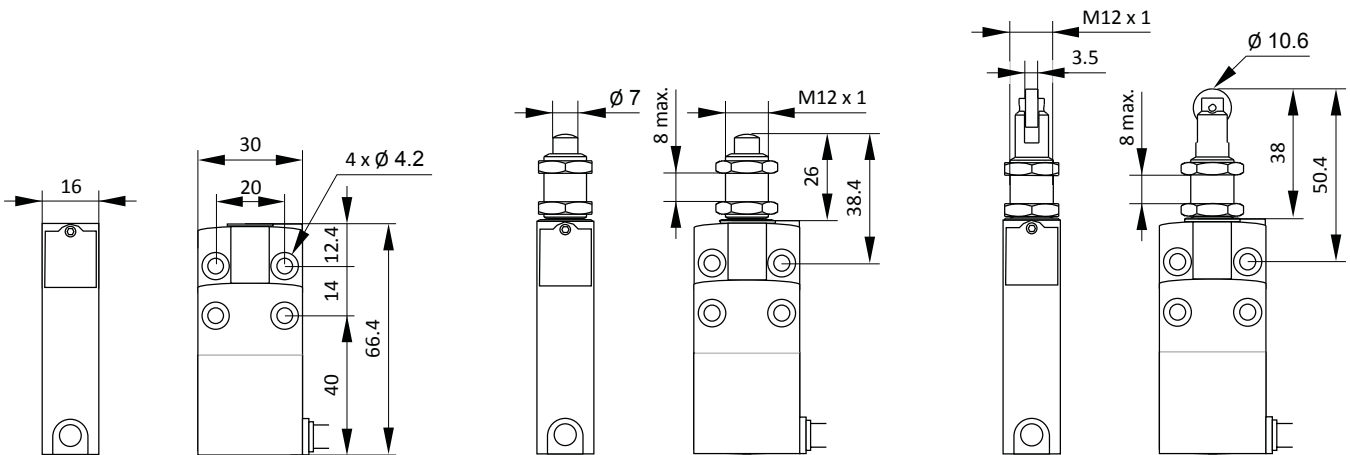
**Head with angular movement  
Fixing by the body**





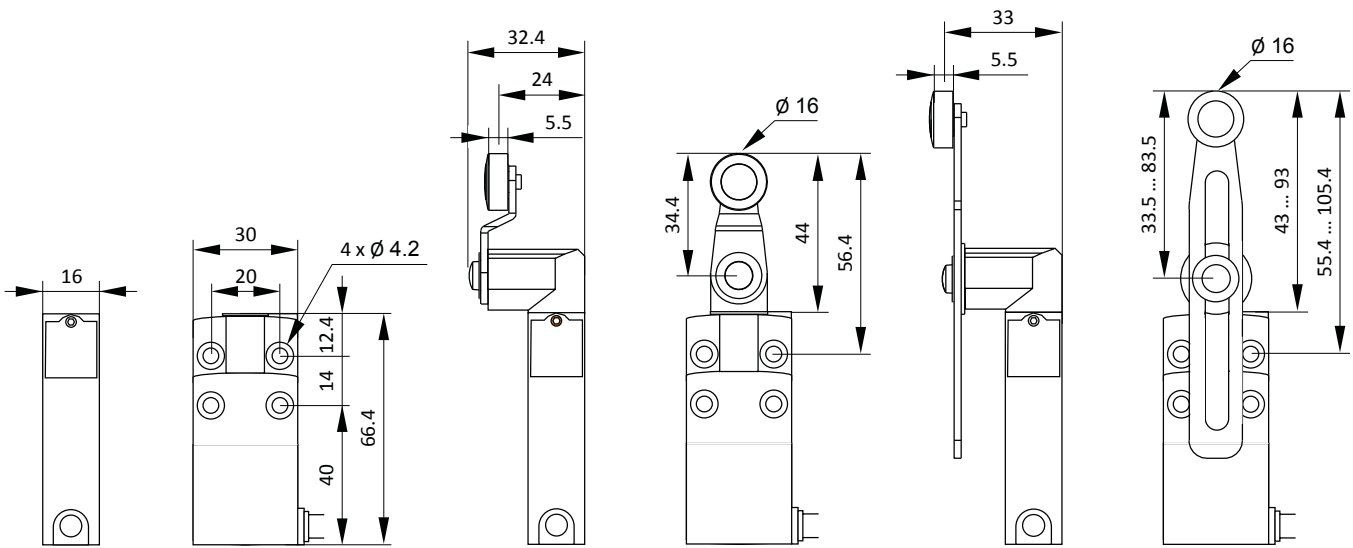
Actuator type	Lever variable length with thermoplastic roller		Lever variable length with steel roller	
	2 contacts	4 contacts	2 contacts	4 contacts
1 m cable length	XCWD2145L1	XCWD4145L1	XCWD2146L1	XCWD4146L1
2 m cable length	XCWD2145L2	XCWD4145L2	XCWD2146L2	XCWD4146L2
5 m cable length	XCWD2145L5	XCWD4145L5	XCWD2146L5	XCWD4146L5
10 m cable length	XCWD2145L10	XCWD4145L10	XCWD2146L10	XCWD4146L10





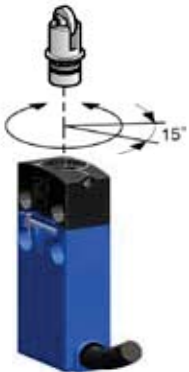
<b>Switch actuation</b>	<b>On end</b> 	<b>By 30° cam</b> 
<b>Maximum actuation speed</b>	0.5 m/s	0.5 m/s
<b>Mechanical durability</b>	10 million operating cycles	
<b>Minimum force or torque</b>	for tripping	8.5 N
	for positive opening	42.5 N
<b>Cabling</b>	PvR cable: 5 x 0.75 mm <sup>2</sup> for 2-pole contact versions, 9 x 0.34 mm <sup>2</sup> for 4-pole contact versions	



<b>Switch actuation</b>	<b>On end</b> 	<b>By 30° cam</b> 
<b>Maximum actuation speed</b>	0.5 m/s	0.1 m/s
<b>Mechanical durability</b>	10 million operating cycles	
<b>Minimum force or torque</b>	for tripping	8.5 N
	for positive opening	42.5 N
<b>Cabling</b>	PvR cable: 5 x 0.75 mm <sup>2</sup> for 2-pole contact versions, 9 x 0.34 mm <sup>2</sup> for 4-pole contact versions	

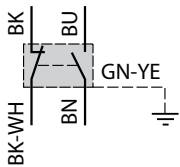


Switch actuation	By 30° cam 	By 30° cam 
Maximum actuation speed	0.1 m/s	1.5 m/s
Mechanical durability	10 million operating cycles	
Minimum force or torque	for tripping	7 N
	for positive opening	35 N
Cabling	PvR cable: 5 x 0.75 mm <sup>2</sup> for 2-pole contact versions, 9 x 0.34 mm <sup>2</sup> for 4-pole contact versions	

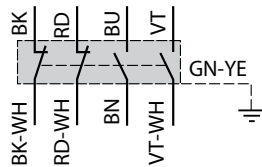


All actuators can be adjusted from 15° to 15° on 360° relative to the body

## Contacts blocks

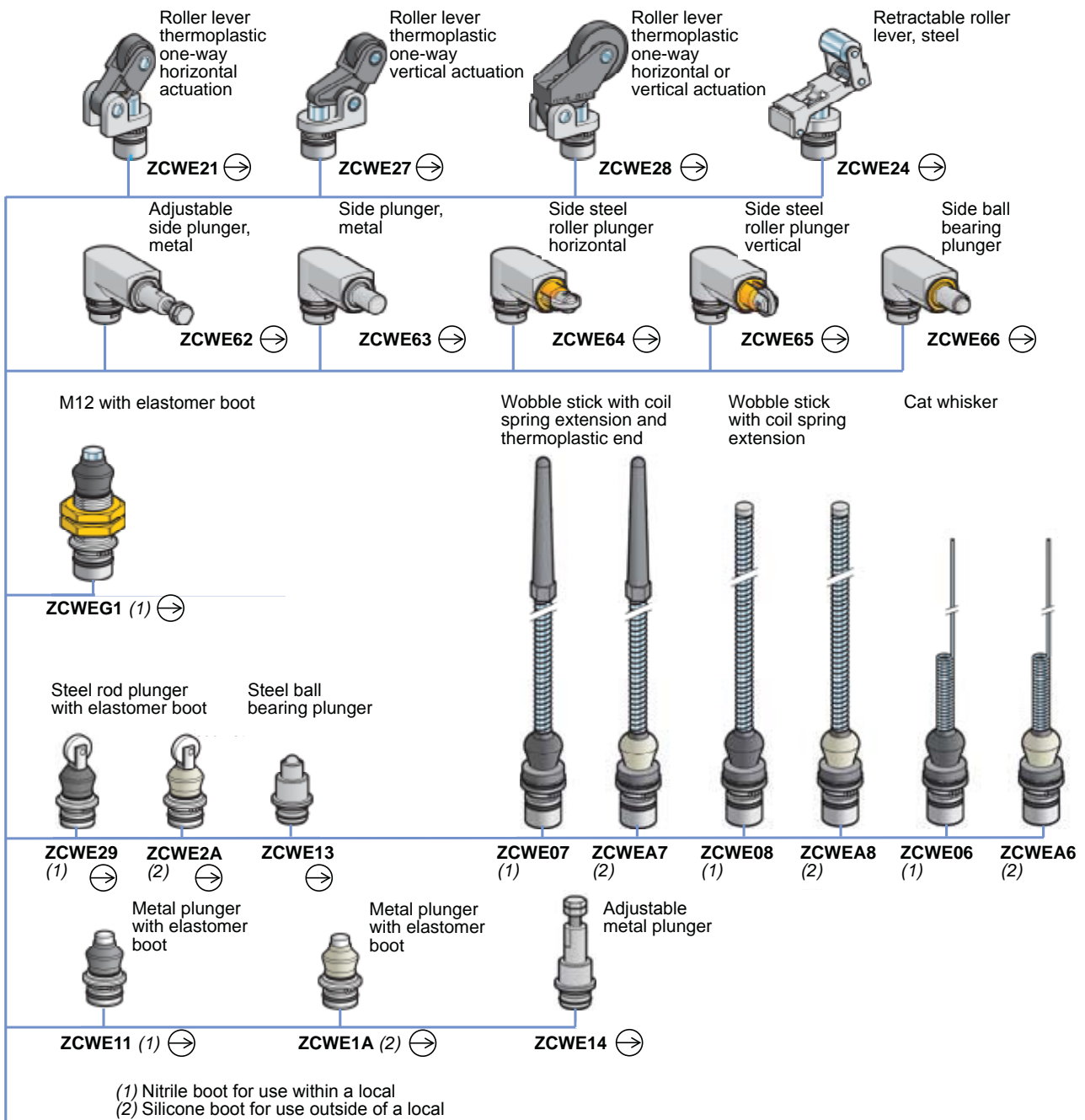


Switches with 2-pole contacts  
NC + NO  
snap action



Switches with 4-pole contacts  
NC + NC + NO + NO  
snap action

### Variable components - Actuator and body unassembled



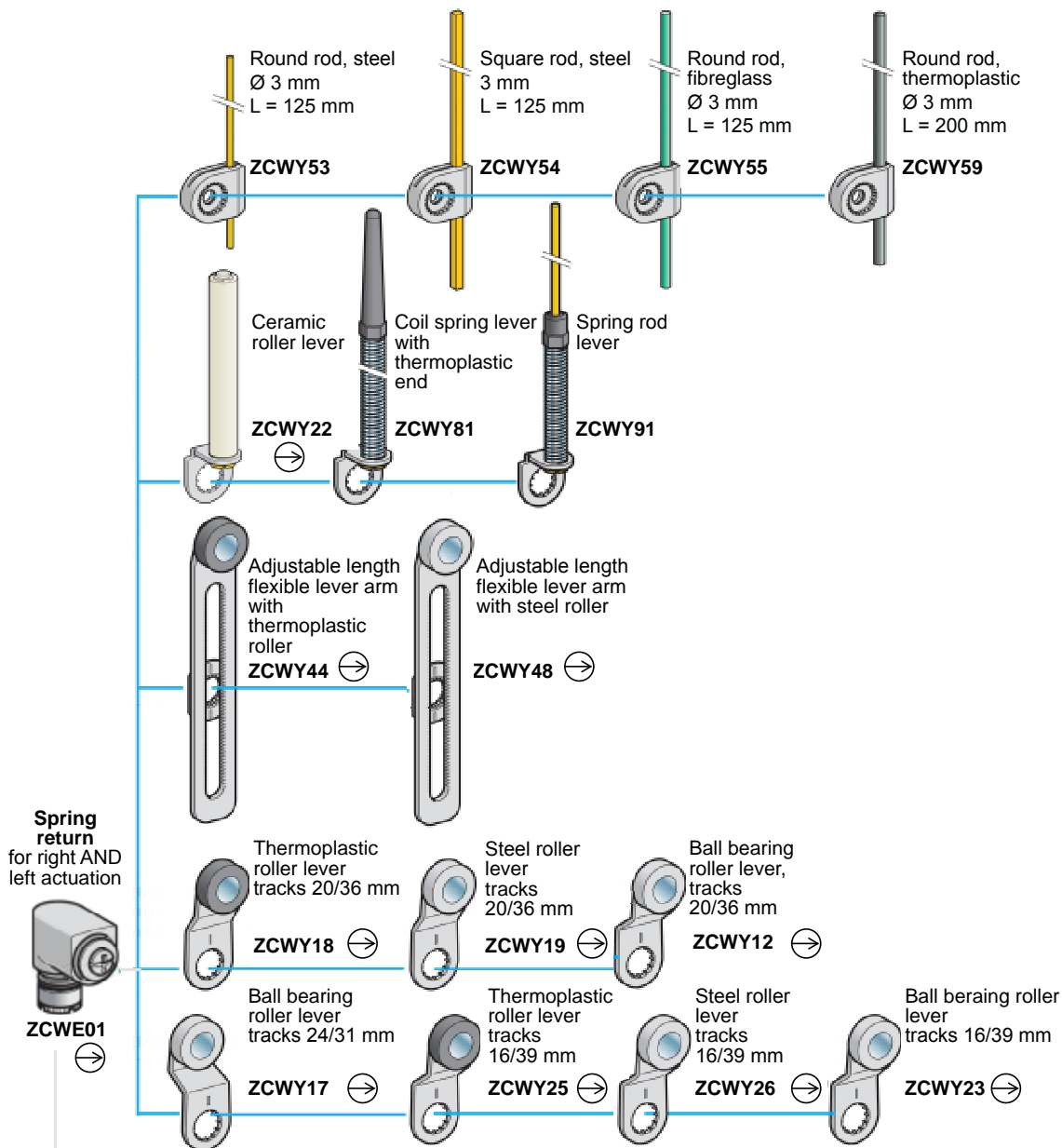
#### Part number of the body - When ordering specify the selected actuator

Cable length	2 contacts ( 1NC + 1NO)	4 contacts (2NC + 2NO)
<b>1 m long</b>	ZCWD21L1	ZCWD41L1
<b>2 m long</b>	ZCWD21L2	ZCWD41L2
<b>5 m long</b>	ZCWD21L5	ZCWD41L5
<b>10 m long</b>	ZCWD21L10	ZCWD41L10

Snap action contacts



## Variable components - Actuator, head and body unassembled



Part number of the body - When ordering specify the selected actuator

Cable length	2 contacts ( 1NC + 1NO )	4 contacts (2NC + 2NO)
1 m long	ZCWD21L1	ZCWD41L1
2 m long	ZCWD21L2	ZCWD41L2
5 m long	ZCWD21L5	ZCWD41L5
10 m long	ZCWD21L10	ZCWD41L10

Snap action contacts

