



The control stations XAWG, made in glass-reinforced polyester (GRP), are equipped with our extensive range of robust and flexible control and signalling units HarmAtex.

They combine the functions start and stop for motors, fans, pumps ..., and they can be provided with measuring instruments for current control, voltage or other physical quantities.

The functions can be predefined or determined according to the requirement of the application. Up to 48 control and signalling units can be installed on the XAWG control units.

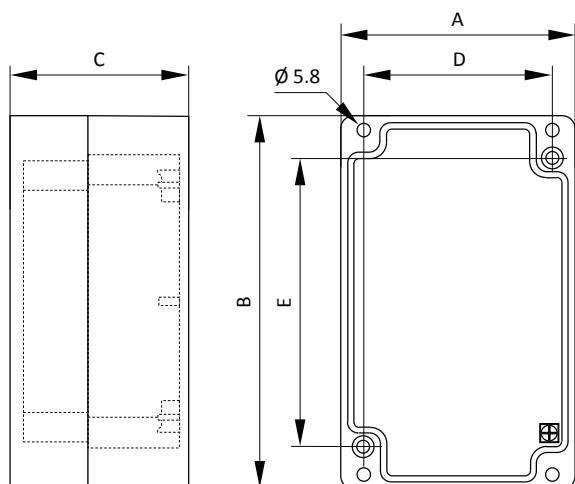
TECHNICAL DATA

Material	Glass-reinforced polyester (GRP)
IP rating	IP65 according to EN/IEC 60529
Temperature range	-20°C ... +40°C or +50°C or +60°C
Certificate	INERIS 03ATEX0122X
Marking	II 2 GD Ex e IIC T6...T4 Gb Ex e mb IIC T6...T4 Gb Ex d e IIC T6...T4 Gb Ex d e mb IIC T6...T4 Gb Ex tb IIIC T85°C ... T135°C Db
Features of the contact block	Ith = 10 A; Ui = 415 V AC Ue = 380 V; Ie = 1,9 A or Ue = 240 V; Ie = 3 A or Ue = 120 V; Ie = 6 A DC Ue = 250 V; Ie = 0,27 A or Ue = 125 V; Ie = 0,55 A or Ue = 24 V; Ie = 2,87 A
Features of the LED pilot light	Rated voltage 24 ... 254 V AC/DC Maximal current 2 ... 10 mA
Mechanical endurance of the push buttons	Head: 5 million operations - Contact block: 1 million operations

Product code	Actuator	Colour	Label	Contact
XAWG10	1 x Push button, spring to return	● Green	Start	1NO
XAWG11	1 x Push button, spring to return	● Red	Stop	1NC
XAWG16	1 x Mushroom, spring to return - Ø 40 mm	● Red	Emergency stop	1NC
XAWG15	1 x Mushroom, Push-Pull - Ø 40 mm	● Red	Emergency stop	1NC
XAWG17	1 x Mushroom, turn to release - Ø 40 mm	● Red	Emergency stop	1NC
XAWG172	1 x Mushroom, release by key - Ø 40 mm	● Red	Emergency stop	1NC
XAWG13	1 x Selector switch, 2 stay put positions	● Black	Start - Stop	1NO
XAWG132	1 x Selector switch, 2 stay put positions	● Black	Manu - Auto	1NO+1NC
XAWG133	1 x Selector switch, 2 stay put positions	● Black	0-I	1NO+1NC
XAWG12	1 x Selector switch, 3 stay put positions	● Black	I-0-II	1NO+1NC
XAWG121	1 x Selector switch, 3 spring return to center	● Black	I-0-II	1NO+1NC
XAWG122	1 x Selector switch, key withdrawal in 3 positions	● Black	I-0-II	1NO+1NC
XAWG143	1 x Pilot light, integral LED - 24 to 254 V AC-DC	● Green	Blank	-
XAWG144	1 x Pilot light, integral LED - 24 to 254 V AC-DC	● Red	Blank	-
XAWG147	1 x Pilot light, integral LED - 24 to 254 V AC-DC	○ White	Blank	-
XAWG146	1 x Pilot light, integral LED - 24 to 254 V AC-DC	● Blue	Blank	-
XAWG145	1 x Pilot light, integral LED - 24 to 254 V AC-DC	● Yellow	Blank	-

Product code	Actuator	Colour	Label	Contact
XAWG21	1 x Push button, spring to return	● Green	Start	1NO
	1 x Push button, spring to return	● Red	Stop	1NC
XAWG26	1 x Push button, spring to return	● Green	Start	1NO
	1 x Mushroom, spring to return - Ø 40 mm	● Red	Emergency stop	1NC
XAWG25	1 x Push button, spring to return	● Green	Start	1NO
	1 x Mushroom, Push-Pull - Ø 40 mm	● Red	Emergency stop	1NC
XAWG27	1 x Push button, spring to return	● Green	Start	1NO
	1 x Mushroom, turn to release - Ø 40 mm	● Red	Emergency stop	1NC
XAWG272	1 x Push button, spring to return	● Green	Start	1NO
	1 x Mushroom, release by key - Ø 40 mm	● Red	Emergency stop	1NC
XAWG24	1 x Push button, spring to return	● Green	Star	1NO
	1 x Pilot light, integral LED - 24 to 254 V AC-DC	● Green	Blank	-
XAWG244	1 x Push button, spring to return	● Black	Start	1NO
	1 x Pilot light, integral LED - 24 to 254 V AC-DC	● Red	Blank	-
XAWG31	1 x Push button, spring to return	● Green	Forward	1NO
	1 x Push button, spring to return	● Red	Stop	1NC
	1 x Push button, spring to return	● Green	Reverse	1NO
XAWG37	1 x Push button, spring to return	● Green	Start	1NO
	1 x Push button, spring to return	● Red	Stop	1NC
	1 x Mushroom, spring to return Ø 40 mm	● Red	Emergency stop	1NC
XAWG34	1 x Push button, spring to return	● Green	Start	1NO
	1 x Push button, spring to return	● Red	Stop	1NC
	1 x Pilot light, integral LED - 24 to 254 V AC-DC	● Green	Blank	-
XAWG393	1 x Push button, spring to return	● Green	Start	1NO
	1 x Mushroom, Push-Pull Ø 40 mm	● Red	Emergency stop	1NC
	1 x Pilot light, integral LED - 24 to 254 V AC-DC	● Green	Blank	-

Any other configuration on request



Enclosure	A	B	C	D	E
XAWG 1...	85	146	70	70	105
XAWG 2...	85	146	70	70	105
XAWG 3...	85	226	70	70	108
XAWG 5...	85	281	70	70	240
XAWG 8...	151	241	87	135	200

Other dimensions on request