

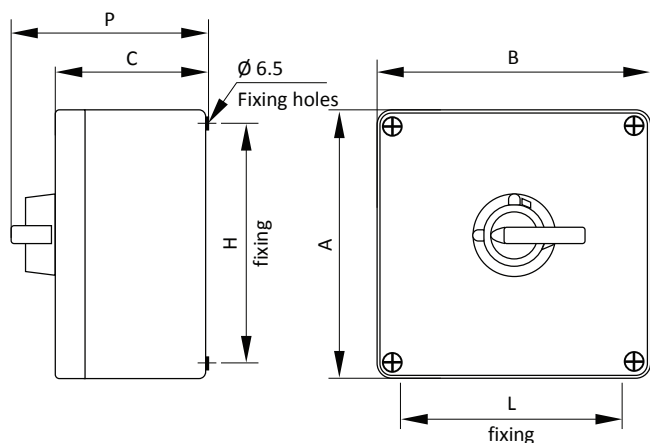


The safety switches are made of polyester (GRP) or stainless steel AISI 316L.

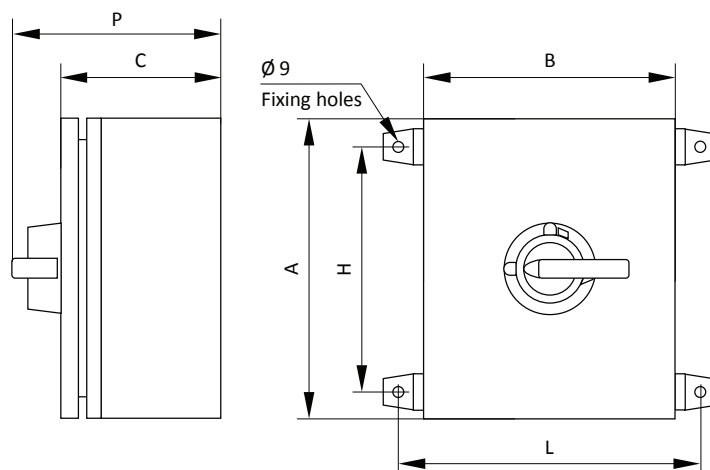
They provide isolation during maintenance or repair of machines in every industrial application in hazardous areas.

### TECHNICAL DATA

<b>Material</b>	GRP or Stainless steel AISI 316L						
<b>IP rating</b>	IP66 according to EN/IEC 60529						
<b>Temperature range</b>	-20°C/-50°C ... +40°C/+60°C						
<b>Certificate</b>	INERIS						
<b>Marking</b>	II 2 GD Ex d e IIC T4/T5 Gb Ex tb IIIC T80°C Db IP66						
<b>Polarity</b>	2P or 3/4 poles						
<b>Electrical features</b>	Category AC22A	Rated current	20A	25A	32A	40A	63A
		Rated voltage	690V	690V	690V	690V	690V
	Category AC23A	Rated current	20A	25A	32A	40A	63A
		Rated voltage	-	-	-	690V	690V
		Rated voltage	500V	500V	500V	500V	500V
	Category AC3	Rated current	20A	25A	32A	40A	63A
		Rated voltage	500V	500V	500V	-	-
	<b>Accessories on request</b>	Earth-stud					
		Breath valves					
Auxiliary contacts							
Ambient temperature of -50°C ... +55°C or +60°C							



Enclosure in GRP



Enclosure in stainless steel

### Enclosure in glass-reinforced polyester ( GRP)

General use (1)	Emergency use (2)	Number poles	Rated current	Cable entries	Dimensions					T° Gas (3)	T° Dust
					A	B	C	P	H x L		
DE1GU202	DE1EU202	2P	20A	2 x M25	160	160	91	125	110 x 140	T4	T80°C
DE1GU204	DE1EU204	3/4P	20A	2 x M25	160	160	91	125	110 x 140	T4	T80°C
DE1GU252	DE1EU252	2P	25A	2 x M25	160	160	91	125	110 x 140	T4	T80°C
DE1GU254	DE1EU254	3/4P	25A	2 x M25	160	160	91	125	110 x 140	T4	T80°C
DE1GU322	DE1EU322	2P	32A	2 x M25	160	160	91	125	110 x 140	T4	T80°C
DE1GU324	DE1EU324	3/4P	32A	2 x M32	160	160	91	125	110 x 140	T4	T80°C
DE1GU402	DE1EU402	2P	40A	2 x M32	250	255	121	155	200 x 235	T4	T80°C
DE1GU404	DE1EU404	3/4P	40A	2 x M40	250	255	121	155	200 x 235	T4	T80°C
DE1GU632	DE1EU632	2P	63A	2 x M40	250	255	121	155	200 x 235	T4	T80°C
DE1GU634	DE1EU634	3/4P	63A	2 x M50	250	255	121	155	200 x 235	T4	T80°C

- 1) The colour of the handle switch is black
- 2) The colour of the handle switch is red and yellow
- 3) Temperature class T5 with an ambient temperature of +40°C or +50°C

### Enclosure in stainless steel AISI 316L

General use (1)	Emergency use (2)	Number poles	Rated current	Cable entries	Dimensions					T° Gas (3)	T° Dust
					A	B	C	P	H x L		
SDE1GU202	SDE1EU202	2P	20A	2 x M25	200	150	150	185	150 x 200	T4	T80°C
SDE1GU204	SDE1EU204	3/4P	20A	2 x M25	200	150	150	185	150 x 200	T4	T80°C
SDE1GU252	SDE1EU252	2P	25A	2 x M25	200	150	150	185	150 x 200	T4	T80°C
SDE1GU254	SDE1EU254	3/4P	25A	2 x M25	200	150	150	185	150 x 200	T4	T80°C
SDE1GU322	SDE1EU322	2P	32A	2 x M25	200	150	150	185	150 x 200	T4	T80°C
SDE1GU324	SDE1EU324	3/4P	32A	2 x M32	200	150	150	185	150 x 200	T4	T80°C
SDE1GU402	SDE1EU402	2P	40A	2 x M32	300	200	150	185	250 x 250	T4	T80°C
SDE1GU404	SDE1EU404	3/4P	40A	2 x M40	300	200	150	185	250 x 250	T4	T80°C
SDE1GU632	SDE1EU632	2P	63A	2 x M40	300	200	150	185	250 x 250	T4	T80°C
SDE1GU634	SDE1EU634	3/4P	63A	2 x M50	300	200	150	185	250 x 250	T4	T80°C

- 1) The colour of the handle switch is black
- 2) The colour of the handle switch is red and yellow
- 3) Temperature class T5 with an ambient temperature of +40°C or +50°C

### Accessories

Product code	Description	Product code	Description
DE1VE	Breather valve	ZBWE101 (4)	Auxiliary contact NO - Max. 2 contacts
DE1TT	Earth-stud	ZBWE102 (4)	Auxiliary contact NC - Max. 2 contacts

(4) The contacts NO and NC can be mixed to fit 1NO + 1NC