



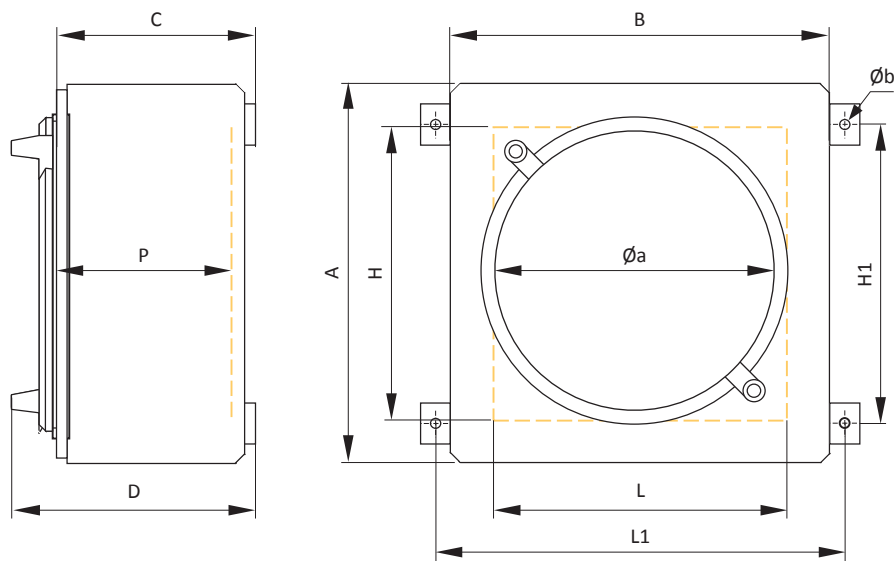
The DE8WH flameproof enclosures are designed for control, monitoring, automation, motor starters, or other complex application in hazardous areas requiring the highest level of protection.

They suit to very aggressive environments and meet the use requirements for ONSHORE and OFFSHORE.

Optionally, they may be provided entirely in stainless steel AISI 316L with a hinged lid on, a junction box increased safety (Ex e) for control and signalling increased safety.

### TECHNICAL DATA

<b>Material</b>	Carbon steel, cover in aluminium copper free
<b>IP rating</b>	IP65/66 according to EN/IEC 60529
<b>Temperature range</b>	-40°C ... +40°C or +50°C or +60°C
<b>Certificate</b>	<p><b>As equipment</b> INERIS 03ATEX121X IECEX INE 14.0010X</p> <p><b>As component</b> INERIS 14ATEX9004U IECEX INE 14.0009U</p>
<b>Marking</b>	<p>II 2 GD or II 2 (1) GD or II 2 (2) GD</p> <p><b>As equipment</b> Ex d IIC T6 ... T4 Gb Ex tb IIIC T85°C ... T135°C Db or Ex d [ia Ga] IIC T6 Gb - Ex tb [ia Da] IIIC T85°C Db or Ex d [ib] IIC T6 Gb - Ex tb [ib] IIIC T85°C Db</p> <p><b>As component</b> Ex d IIC Gb Ex tb IIIC Db</p>
<b>Surface treatment</b>	Painting RAL 7032 - Other colour and/or offshore painting on request
<b>Accessories on request</b>	Distribution panel Ex e Breather valves Earth stud Cable glands



## Dimensions

Product code	External + depth						Fixing holes		Mounting plate	Dissipation	Volume	Weight
	A	B	C	D	Øa	P	H1 x L1	Øb	H x L	max. (W)	dm <sup>3</sup>	(kg)
DE8WH26	260	260	230	230	230	186	116 x 305	9	Ø 190	60	6	12
DE8WH261	260	260	185	199	230	103	116 x 305	9	Ø 190	30	3	9
DE8WH32	330	330	425	433	250	257	210 x 380	14	248 x 248	165	29	65
DE8WH43	520	520	425	433	400	257	400 x 570	14	398 x 398	270	73	125
DE8WH64	670	670	425	433	550	257	550 x 720	14	548 x 548	330	122	200
DE8WH107	1040	670	425	492	550	312	550 x 720	14	916 x 548	600	190	260

## Number maximum of entries per side

Product code	M20 - 1/2"		M25 - 1"		M32-M40-M42-1" 1/2 - 1" 1/4		M50 - 2"		M63 - 2" 1/2		M75 - 3"	
	Per side	Total (1)	Per side	Total (1)	Per side	Total (1)	Per side	Total (1)	Per side	Total (1)	Per side	Total (1)
DE8WH26	3	12	2	8	1	4	-	-	-	-	-	-
DE8WH261	3	12	2	8	1	4	-	-	-	-	-	-
DE8WH32	14	56	8	32	4	16	2	8	-	-	-	-
DE8WH43	32	128	20	80	15	60	5	20	2	8	1	4
DE8WH64	39	156	26	104	19	76	6	24	2	8	1	4
DE8WH107	39	156	26	104	19	76	6	24	2	8	1	4

(1) Number total of entries on the periphery



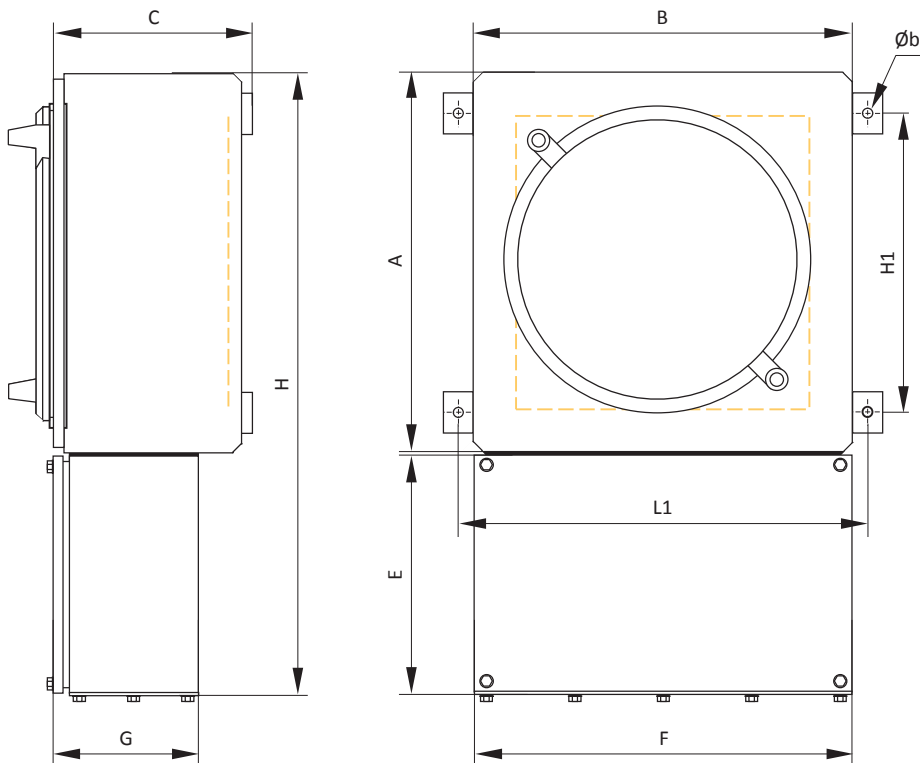
The DE8WH flameproof enclosures with an increased safety (Ex e) enclosure are designed for control, monitoring, automation, motor starters, or other complex application in hazardous areas requiring the highest level of protection.

They suit to very aggressive environments and meet the use requirements for ONSHORE and OFFSHORE.

Optionally, they may be provided entirely in stainless steel AISI 316L with a hinged lid on.

### TECHNICAL DATA

<b>Material</b>	Carbon steel, cover in aluminium copper free, Ex e enclosure in stainless steel AISI 316L
<b>IP rating</b>	IP65/66 according to EN/IEC 60529
<b>Temperature range</b>	-40°C ... +40°C or +50°C or +60°C
<b>Certificate</b>	<p><b>As equipment</b> INERIS 03ATEX121X IECEX INE 14.0010X</p> <p><b>As component</b> INERIS 14ATEX9004U IECEX INE 14.0009U</p>
<b>Marking</b>	<p>II 2 GD or II 2 (1) GD or II 2 (2) GD</p> <p><b>As equipment</b> Ex d IIC T6 ... T4 Gb Ex tb IIIC T85°C ... T135°C Db or Ex d [ia Ga] IIC T6 Gb - Ex tb [ia Da] IIIC T85°C Db or Ex d [ib] IIC T6 Gb - Ex tb [ib] IIIC T85°C Db</p> <p><b>As component</b> Ex d IIC Gb Ex tb IIIC Db</p>
<b>Surface treatment</b>	Painting RAL 7032 - Other colour and/or offshore painting on request
<b>Accessories on request</b>	Breather valves Earth stud Cable glands



### Dimensions with Ex e enclosures not equipped with hinges

Product code	External							Fixing holes		Mounting plate	Number of entries
	A	B	C	E	F	G	H	H1 x L1	Øb	H x L	M42 x 1,5
DE8WH26WF16	260	260	230	160	260	90	422	116 x 305	9	Ø 190	1
DE8WH261WF16	260	260	185	160	260	90	422	116 x 305	9	Ø 190	1
DE8WH32WH27	330	330	425	250	270	170	593	210 x 380	14	248 x 248	4
DE8WH32WH33	330	330	425	250	330	230	593	210 x 380	14	248 x 248	4
DE8WH43WH33	520	520	425	250	330	230	783	400 x 570	14	398 x 398	6
DE8WH43WH52	520	520	425	330	520	230	863	400 x 570	14	398 x 398	8
DE8WH64WH52	670	670	425	330	520	230	1013	550 x 720	14	548 x 548	8
DE8WH64WH67	670	670	425	520	670	230	1203	550 x 720	14	548 x 548	12
DE8WH107WH67	1040	670	425	520	670	230	1573	550 x 720	14	916 x 548	12

### Dimensions with Ex e enclosures equipped with hinges

Product code	External							Fixing holes		Mounting plate	Number of entries
	A	B	C	E	F	G	H	H1 x L1	Øb	H x L	M42 x 1,5
DE8WH26WF16	260	260	230	160	260	90	432	116 x 305	9	Ø 190	1
DE8WH261WF16	260	260	185	160	260	90	432	116 x 305	9	Ø 190	1
DE8WH32WH27	330	330	425	250	270	170	689	210 x 380	14	248 x 248	4
DE8WH32WH33	330	330	425	250	330	230	689	210 x 380	14	248 x 248	4
DE8WH43WH33	520	520	425	250	330	230	879	400 x 570	14	398 x 398	6
DE8WH43WH52	520	520	425	330	520	230	959	400 x 570	14	398 x 398	8
DE8WH64WH52	670	670	425	330	520	230	1109	550 x 720	14	548 x 548	8
DE8WH64WH67	670	670	425	520	670	230	1299	550 x 720	14	548 x 548	12
DE8WH107WH67	1040	670	425	520	670	230	1629	550 x 720	14	916 x 548	12