

DATASHEET - BC 150 Ex BEACON /LIGHT

AUDIBLE & VISUAL SIGNALLING EQUIPMENT



DESCRIPTION - BC 150 Ex BEACON /LIGHT

This beacon is certified for use in Atex/explosive atmosphere, zone 1 & 2 for gas and zone 21 & 22 for dust. It is dedicated for Oil & Gas, chemical, petrochemical, pharmacy industries, marine and Offshore applications. It's designed for corrosive environments and hazardous area. The BC150 can also be used as status light.

This beacon can be delivered with two different light sources;
Led with steady, rotary, fixed or blinking led of different powers.
Flashing with XENON tube of different powers.
Four flashing frequencies are selectable.
Optional it is possible to control the beacon via a telephone line.

Housing is moulded Glass-Reinforced Polyester (GRP), dyed in the mass and protected by an UV resistant paint, the lens is made of borosilicate glass.

A complete range of accessories is available to customize a products.
(see accessories annex)



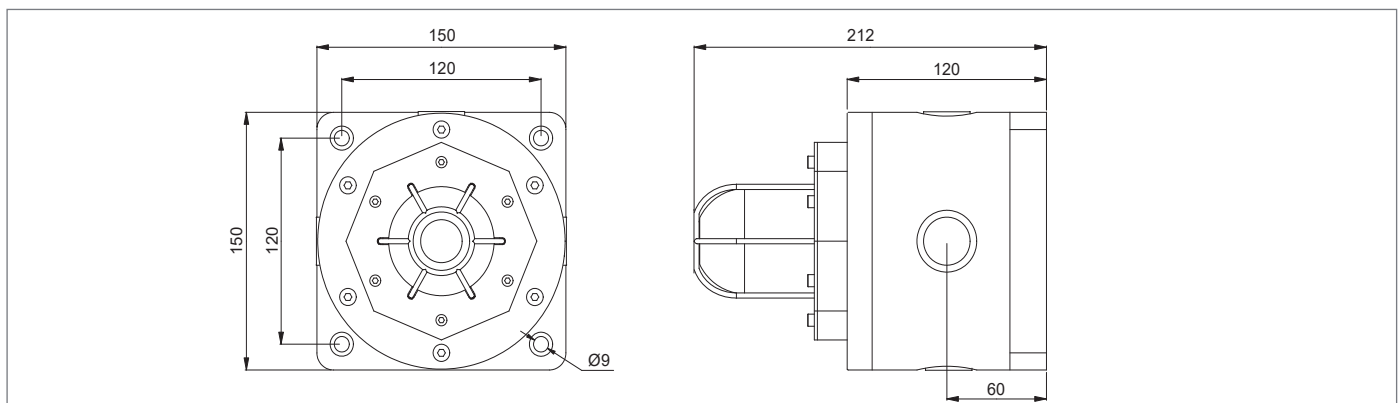
- zone 1 & 2
- zone 21 & 22

PRODUCT CODE CONFIGURATOR

LENS COLOR	TYPE	POWER	VOLTAGE	DUTY LABEL	TAG LABEL	LENS GUARD	CABLE ENTRY	FINISH COLOR	TELEPHONE INITIATED
■ R = RED	X = Xenon	05 LED: 5W Xenon: 5J	DC 12 .. 48V DC	Y = Yes	Y = Yes	Y = Yes	A = M20	■ RD = RED	Y = Yes
■ A = AMBER		10 LED: 10W Xenon: 10J	AC1 12..48V AC				B = M25	■ YW = YELLOW	
■ B = BLUE		L = LED	15 Xenon: 15J				AC 100 .. 240V AC	C = 1/2" NPT	
■ G = GREEN	21 Xenon: 21J		OR (Other Request)	D = 3/4" NPT	■ BL = BLACK				
■ C = CLEAR					□ OR = OTHER ON REQUEST	N = No			

ADD THE CODES RELATED TO THE FEATURES REQUIRED TO BC150:


--	--	--	--	--	--	--	--	--	--



DATASHEET - BC 150 Ex BEACON /LIGHT

AUDIBLE & VISUAL SIGNALLING EQUIPMENT

TECHNICAL DATA

MATERIAL	• ENCLOSURE: Glass-Reinforced Polyester (GRP) • LENS: Tempered borosilicate glass 3.3
COLOUR	• RED : RAL 3001 - YELLOW** : RAL1018 - BLUE** : RAL5005 - BLACK** : RAL9005
INGRESS PROTECTION	• IP66/67
AMBIENT TEMPERATURE FOR OPERATION	• T6 = - 40°C ~ + 55°C , T5 = - 40°C ~ + 60°C, T4 = - 40°C ~ + 70°C
CERTIFICATION	• Nemko 13 ATEX 1561X, IECEx NEM 13.0030X
EX CODE	•  II 2 GD Ex d IIC T4 ~ T6 Gb, Ex tb IIIC T135°C ~T85°C,
STANDARD	• EN / IEC 60079-0, EN / IEC 60079-1, EN / IEC 60079-31
ATEX AREA ZONE	• Gas zone: 1 & 2 Dust zone: 21 & 22
CANDELA LENS COLOR	• Red: 0.15 • Amber: 0.51 • Blue: 0.12 • Green: 0.49 • Clear: 1
LIGHT TYPE	Flash tube (XENON) LED
TRUE LIGHT INTENSITY	• 5 joules = 109 Cd • 10 joules = 293 Cd • 5 W = 128 Cd • 10W = 312 Cd • 15 joules = 395 cd • 21 joules = 424 Cd
PEAK LIGHT INTENSITY	• 5 joules = 35970 Cd • 10 joules = 66804 Cd • 15 joules = 83345 Cd • 21 joules = 95824 Cd
TIME LIFE	• Emissions are reduced to 70% after 8 million flashes • >50 000 hours without luminosity decreasing
BLINKING OR ROTARY FREQUENCY (0 = steady status)	• 60/80/120 times/min • 100/120/150 times/min • 120/150/180 times/min • 60/75/0 times/min • 60/75/100 times/min • 75/95/0 times/min • 75/95/120 times/min
CONSUMPTION	• 5 Joules = 10W • 10 Joules = 15W • 5W • 10W • 15 Joules = 20W • 21 Joules = 25W
AMBIENT HUMIDITY*	• until 95%*
POWER SUPPLY	• 12-48V DC • 12-48V AC (50/60hz) • 100-240V AC (50/60hz)
RATED IMPULSE WITHSTAND VOLTAGE	• 1kV following IEC 61000-4-5
WORKING CURRENT LED	• Power 12V DC 24V DC 48V DC 110V AC 220V AC • 5W 530 mA 260 mA 120 mA 80 mA 40 mA • 10W 1100 mA 530 mA 240 mA 160 mA 80 mA
WORKING CURRENT XENON	• Energy 12V DC 24V DC 48V DC 110V AC 220V AC • 5J 460 mA 280 mA 140 mA 60 mA 35 mA • 10J 850 mA 490 mA 250 mA 100 mA 60 mA • 15J 1200 mA 700 mA 360 mA 140 mA 80 mA • 21J NA 960 mA 480 mA 180 mA 110 mA
CABLES ENTRY	• 4 x M20, M25**, 1/2" NPT**, 3/4" NPT** or other** (Specify)
TERMINAL	• From 22 to 14 AWG - from 0.50 mm ² to 2.5 mm ²
NET WEIGHT	• 3.8 Kg
EXTERNAL TRIGGER**	• 25Hz <f<50Hz 40V<u<100V Z = 2k Ohms

* = without runoff - ** = optional - cable gland and blind plug not provided

MEANING OF LENS COLOR USAGE IN THE INTERNATIONAL STANDARD (IEC 60073)

COLOR	MEANING	ACTION	EXAMPLE
■ RED	EMERGENT	Dangerous state Take immediat action	• Pressure/Temperature beyond the safe state - Shutdown due to the action of protective devices - Fire alarm - Equipment failure alarm
■ AMBER	ABNORMAL	Abnormal state, near the critical status	• Pressure/Temperature above the normal range - Protective device released - Toxic and harmful gases release alarm
■ GREEN	SAFE	Normal state	• Pressure/Temperature in normal state - Automatic control system is operating normally
■ BLUE	MANDATORY	Requires operator's action	• Emergency evacuation - Abandon rescue and escape - Abandon platform or abandon ship - Enter the command
■ CLEAR	NO SPECIAL SIGNIFICANCE	If uncertainty for other colors, clear is allowed to be used	• General information - Can't exactly use red, yellow, green or blue - Used for the implementation of command - Indicate the measured values